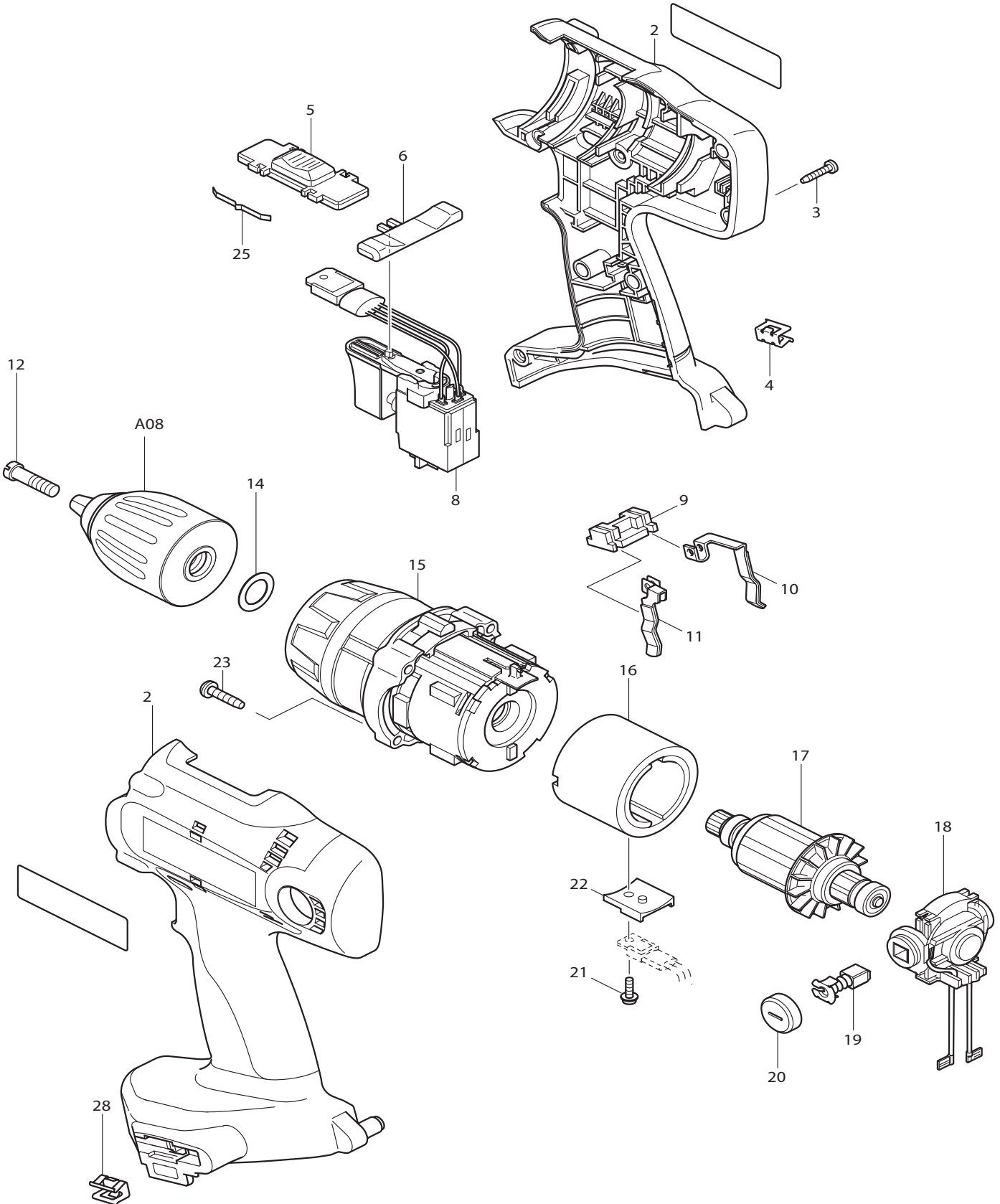




11-2009
6349DWFE
18V 1/2" DRIVER DRILL KIT



| Item No | Type | Ref | Part No | Description | Qty | Unit |
|---------|------|------|----------|---|-----|------|
| 2 | | | 183971-7 | HOUSING SET | 1 | SET |
| 3 | | | 266130-9 | TAPPING SCREW BIND PT 3X16 | 9 | PC. |
| 4 | | | 344391-2 | BIT HOLDER | 1 | PC. |
| 5 | 3 | | 125434-7 | * SPEED CHANGE LEVER ASS'Y | 1 | PC. |
| 6 | | | 418753-1 | F/R CHANGE LEVER | 1 | PC. |
| 8 | | | 650559-3 | SWITCH C3LA-2A-ED | 1 | PC. |
| 9 | | | 687085-9 | HOLDER | 1 | PC. |
| 10 | | | 654168-0 | SPRING TERMINAL (+) | 1 | PC. |
| 11 | | | 654169-8 | SPRING TERMINAL (-) | 1 | PC. |
| 12 | | | 251464-3 | - FLAT HEAD SCREW M6X22 | 1 | PC. |
| 14 | | | 253798-0 | FLAT WASHER 13 | 1 | PC. |
| 15 | 3 | | 125432-1 | * GEAR ASS'Y | 1 | PC. |
| | | INC. | 419558-2 | * SPEED CHANGE RING | 1 | PC. |
| | | INC. | 268199-9 | * PIN 1.4 | 2 | PC. |
| | | INC. | 450385-8 | * CHANGE LEVER | 1 | PC. |
| 16 | 1 | | 638376-1 | YOKE UNIT | 1 | PC. |
| | 2 | | 638627-2 | YOKE UNIT | 1 | PC. |
| 17 | | | 629831-4 | ARMATURE | 1 | PC. |
| 18 | | | 638375-3 | ENDBELL COMPLETE | 1 | PC. |
| 19 | 1 | | 191971-3 | CARBON BRUSH CB-430, 2PCS/SET, W/O ORIGIN - N/L/A | 1 | SET |
| | 2 | | 195018-5 | CARBON BRUSH CB-430, 2PCS/SET, W/ ORIGIN | 1 | SET |
| 20 | 1 | | 643807-7 | BRUSH HOLDER CAP | 2 | PC. |
| | 2 | | 643929-3 | BRUSH HOLDER CAP | 2 | PC. |
| 21 | | | 266282-6 | TAPPING SCREW ST3X10 | 1 | PC. |
| 22 | | | 689136-4 | FET SPACER | 1 | PC. |
| 23 | | | 266045-0 | TAPPING SCREW 4X20 | 4 | PC. |
| 25 | | | 232220-0 | LEAF SPRING | 2 | PC. |
| 28 | | | 344391-2 | BIT HOLDER | 1 | PC. |

ACCESSORIES

- See catalogue or visit www.makita.ca for optional accessories -

| | | | | | | |
|-----|---|------|----------|---|---|-----|
| A01 | | | 122712-6 | GRIP ASS'Y | 1 | PC. |
| | | INC. | 152624-9 | GRIP 36 COMPLETE | 1 | PC. |
| | | INC. | 266349-0 | SQUARE BOLT M8X50 | 1 | PC. |
| | | INC. | 345463-6 | GRIP SPRING 60 | 1 | PC. |
| | | INC. | 418768-8 | GRIP BASE | 1 | PC. |
| A02 | | | 414938-7 | BATTERY COVER | 2 | PC. |
| A03 | | | DC1804 | DC1804 BATTERY CHARGER | 1 | PC. |
| A04 | | | 193140-2 | 18V NI-MH BATTERY 1835 | 2 | PC. |
| A05 | 1 | | 784637-8 | + - BIT 2-45 (OLD) (USE 1pc/784639-4, 1pc/784640-9) | 2 | PC. |
| | 2 | | 784639-4 | SQUARE BIT | 1 | PC. |
| | 2 | | 784640-9 | SQUARE BIT S2-S3 | 1 | PC. |
| A06 | 1 | | 824534-7 | PLASTIC CARRYING CASE - N/L/A | 1 | PC. |
| | 2 | | 824763-2 | PLASTIC CARRYING CASE | 1 | PC. |
| | | INC. | 163455-1 | LATCH | 2 | PC. |
| A07 | 1 | | 194156-0 | HOOK SET - N/L/A | 1 | PC. |
| | 2 | | 324362-5 | HOOK | 1 | PC. |
| A08 | | | 763191-5 | KEYLESS DRILL CHUCK 13 | 1 | PC. |

SERVICE CHANGES**1. Changes on Gear Assy and Speed Change Lever Assy**

| Item No. | Description | Type 1 | Type 2 | Type 3 |
|----------|---|--------------------------------|---------------------------------|--------------------------------|
| 5 | Speed Change Lever Assy | 125261-2 | | 125434-7 |
| 15 | Gear Assy | 125284-0 (Lot No. in White) | 125340-6 (Lot No. in Silver) | 125432-1 (Lot No. 07-25~) |
| 15 | Speed Change Ring (Comp.of Item No.15) | 418763-8 | 419558-2 | |
| 15 | Change Lever (Comp.of Item No.15) | ----- | 419557-4 | 450385-8 |
| 15 | Pin (Comp.of Item No.15) | 268088-8 (PIN 1.2 = 12mm) | | 268199-9 (PIN 1.4 = 1.35mm) |

Above parts are completely interchangeable as a set.

See "Service change on gear assy" in PDF